



**Electrolux**  
PROFESSIONAL

**Installation accessories**  
**Stacking kit for 6 GN 2/1 oven**  
**placed on gas 10 GN 2/1**

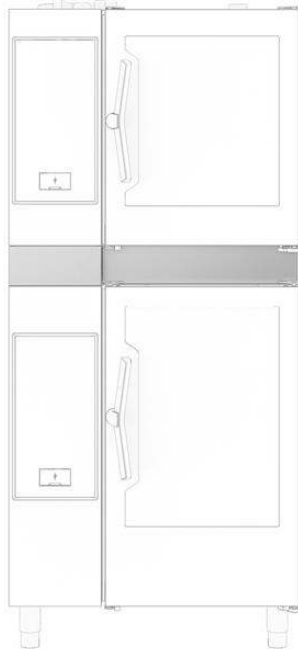
ITEM # \_\_\_\_\_

MODEL # \_\_\_\_\_

NAME # \_\_\_\_\_

SIS # \_\_\_\_\_

AIA # \_\_\_\_\_



922625 (STK6211021)

Stacking kit for 6 GN 2/1  
oven placed on gas 6 GN  
2/1 oven

### Main Features

- Ideal for saving kitchen space.
- Includes: supports, external panels, flue and water pipes, drain connection and adjustable feet.
- The kit can be mounted on site.
- Typology (gas, electric) must be ordered considering the oven that will be placed at the bottom.

### Construction

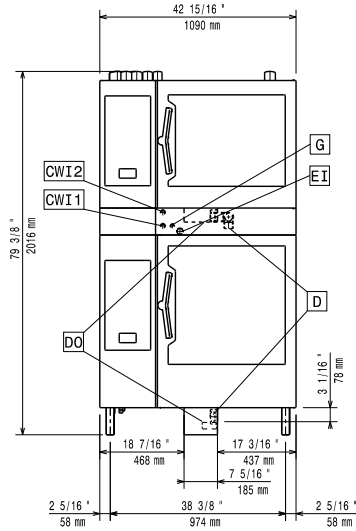
- The kit includes supports, external panels and flue pipes.
- The kit can be mounted on site.

APPROVAL: \_\_\_\_\_

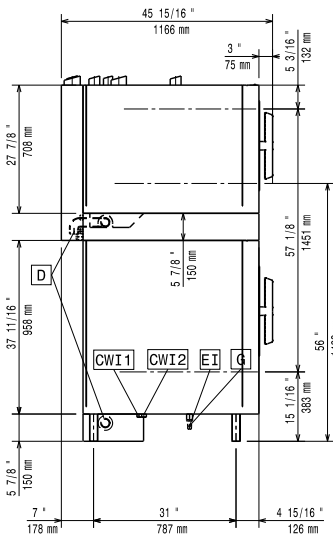


Experience the Excellence  
[www.electroluxprofessional.com](http://www.electroluxprofessional.com)

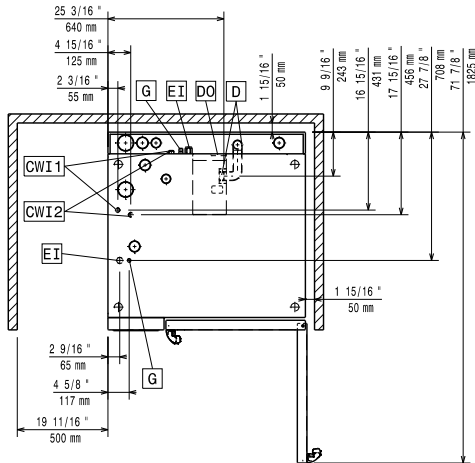
Front



Side



Top



### Key Information:

External dimensions, Width:	
922625 (STK6211021)	1090 mm
External dimensions, Depth:	1092 mm
External dimensions, Height:	150 mm
Net weight:	58.6 kg
Shipping weight:	56 kg